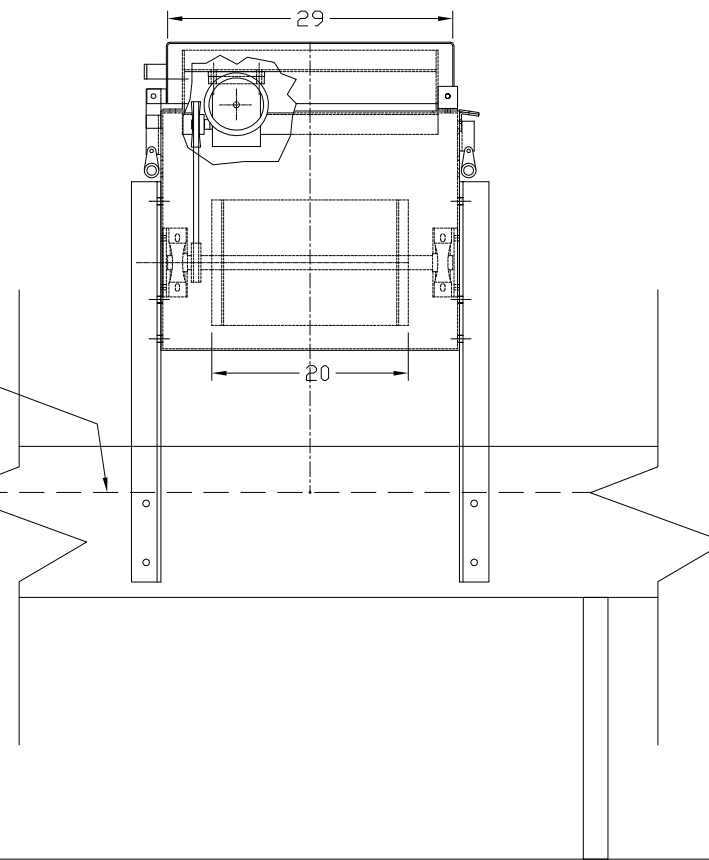



SIDE ASSEMBLY VIEW OF OMS MOUNTED ON
CROSS SECTION OF 30" WIDE SORT CONVEYOR



END ASSEMBLY VIEW OF OMS MOUNTED ON
SIDE VIEW OF 30" WIDE SORT CONVEYOR

NOTE: THIS DRAWING IS OF A GENERIC CONVEYOR SYSTEM TO HIGHLIGHT THE BASIC DESIGN FEATURES OF REMCON SLIDER BED CURVE-UP AND NOSE-OVER CONVEYORS. PLEASE CONTACT REMCON TO DISCUSS THE DESIRED CONVEYOR SPECIFICATIONS AND CONFIGURATION.

	REMCON EQUIPMENT, INC. PO Box 942 2207 S. Lawson St. Airway Heights, WA 99001	www.remconequipment.com remcon@remconequipment.com Phone: 509-244-9439 Fax: 509-244-9351	DRAWING FILE NAME:	
			DRAWING NUMBER:	
DRAWING NAME: OVERHEAD MAGNETIC SEPARATOR CONVEYOR			SHEET NUMBER:	
DESCRIPTION: SIDE ELEVATION AND END VIEWS			OF	
DRAWN BY:			CHECKED BY:	SCALE: 20:1
			CURRENT DATE:	REV#
			2017-08-16	